

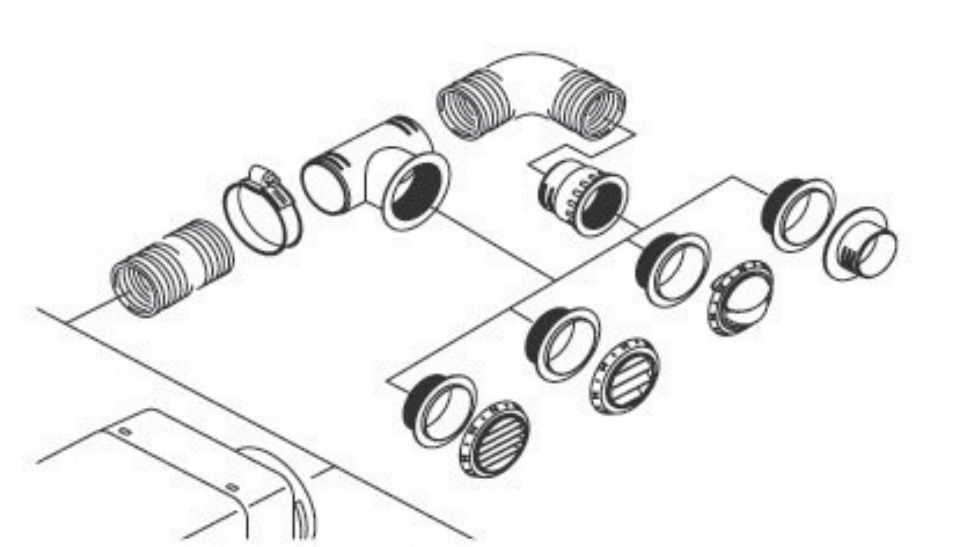
# Hot Air System

## Advantages and Features

Webasto offers a wide range of components for air distribution with high flexibility to fit any application.

### The advantages:

- Full range of mounting parts needed for any application
- Multiple combination possibilities to suit any application
- Coloured air outlets, black, white, grey and brown fitting to any interior
- Fast and easy installation, also in small spaces
- High temperature resistance from -40°C up to +140°C with PA6.6 GF30 glass fibre reinforced synthetic material






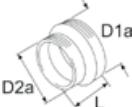
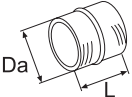
Webasto is not liable for applications made with non-Webasto air ducting parts, especially for parts not guaranteeing high temperature resistance.

# Hot Air System

## Air Flow Resistance Calculation





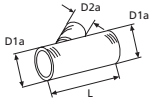


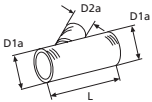


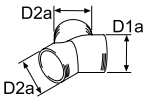


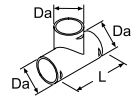


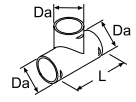

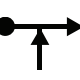
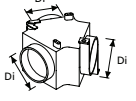


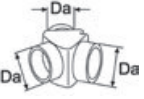


To ensure correct application with the correct air distribution system, it is important to have a continuous main line with openings that cannot be closed. The sum of the resistance points of the main line must not exceed the maximum number of resistance points for each air heater model. Lines branching off from the main line are not taken into account.

Consequently, the branches can also be designed with closable outlets. In the following table, several air ducting parts are listed. Exceeding the number of points (excessive air resistance of the heating air system) is detected by the heater after starting. For safety reasons, continuous heating operation is then no longer possible and the heater switches to control pause.

			Air Top 2000 STC: max. 325 resistance points			Air Top Evo 40: max. 550 resistance points Air Top Evo 55: max. 375 resistance points		
			55/60 mm inlet			80/90 mm inlet		
			Dim. in mm	Points	Id.	Dim. in mm	Points	Id.
Intake grill / grille			60	24	1320163A	90	65	1310581A
Flexible tubing per meter			55	30	various	80	27	various
			60	27	various	90	25	various
Additional points for elbow in flexible tube			55	10	various	80	7	various
			60	8	various	90	6	various
Air ducting silencer			-	-	-	90	24	1321734A
			-	-	-	90	16	1320996A
Reducing adapter air intake						90 > 80	45	1320186A
Reducing adapter			60 > 55	27	1320127A	80 > 55	223	1319477A
			-	-	-	80 > 60	172	1319312A
			-	-	-	90 > 60	211	1320760A
			-	-	-	90 > 80	45	1320185A
			-	-	-	90 > 80	45	1320925A
Hose connector			55	12	1319473A	80	5	1319476A
			60	10	1320469A	90	5	1319869A

# Hot Air System

## Air Flow Resistance Calculation

			Air Top 2000 STC: max. 325 resistance points			Air Top Evo 40: max. 550 resistance points Air Top Evo 55: max. 375 resistance points		
			55/60 mm inlet			80/90 mm inlet		
			Dim. in mm	Points	Id.	Dim. in mm	Points	Id.
Elbow for air outlet 			-	-	-	60	35	1320124A
Elbow 			-	-	-	80	50	1319272A
			-	-	-	90	77	1320706A
Branch 			55/55/55	10	1321019A	80/55/80	8	1319479A
			60/60/60	9	1320472A	80/80/80	9	1319315A
			-	-	-	90/60/90	8	1320707A
			-	-	-	90/60/90	8	1321034A
Branch 			55/55/55	22	1321019A	80/55/80	230	1319479A
			60/60/60	21	1320472A	80/80/80	50	1319315A
			-	-	-	90/60/90	228	1320707A
			-	-	-	90/60/90	228	1321034A
Y-piece 			60/60/60	20	1320814A	80/55/55	230	1320753A
			-	-	-	80/60/60	201	1320471A
			-	-	-	80/80/80	50	1320375A
			-	-	-	90/90/90	42	1320470A
T-piece 			60/60/60	13	1320474A	90/90/90	13	1320473A
T-piece 			60/60/60	63	1320474A	90/90/90	61	1320473A
Distributor with control valve 			55/55/55	19	1319224A	80/80/80	21	1319214A
			60/60/60	20	1320352A	90/90/90	21	1320926A
Distributor Y-piece 			55/55/55	21	1319416A	80/80/80	50	1319212A

# Hot Air System

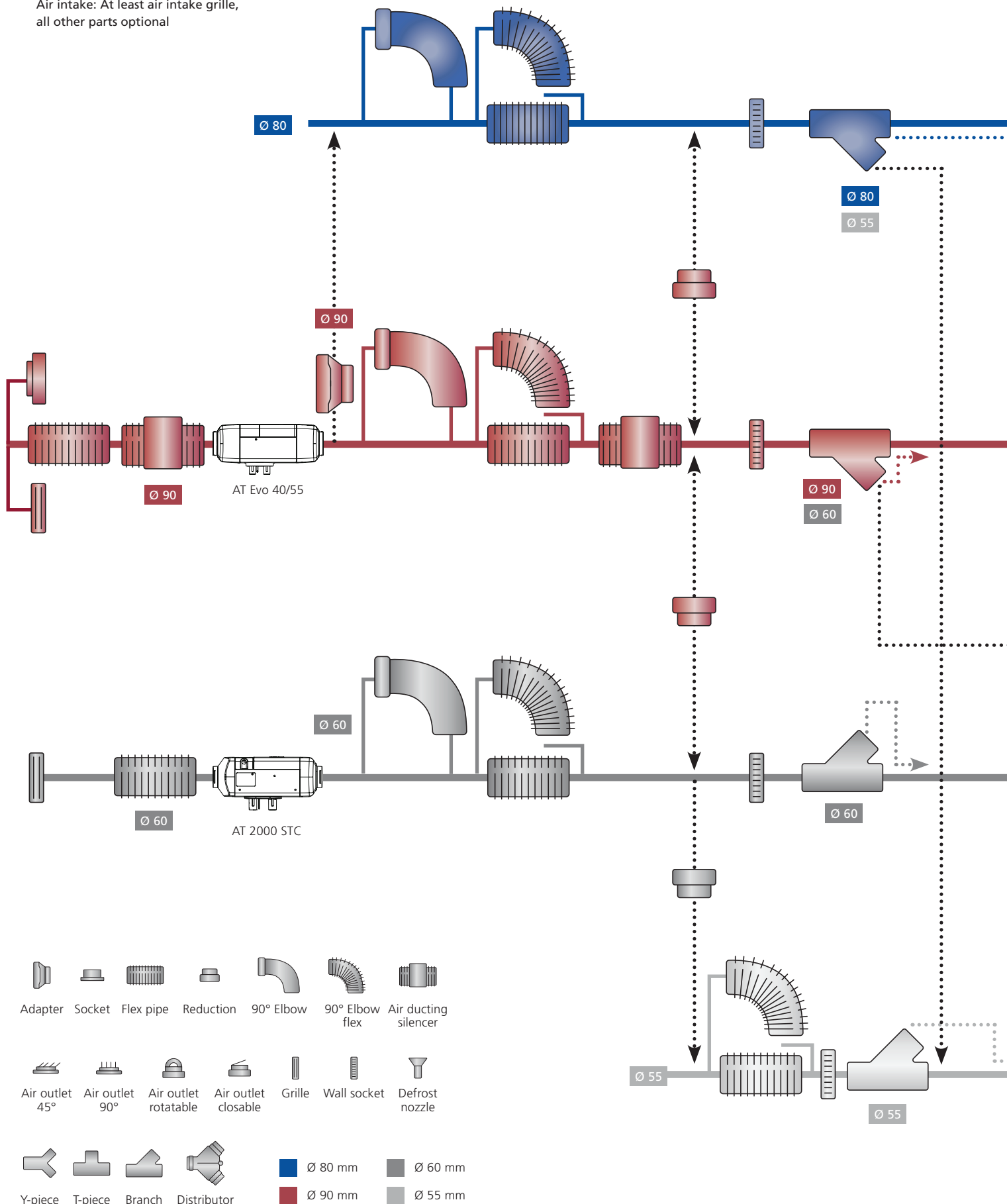
## Air Flow Resistance Calculation

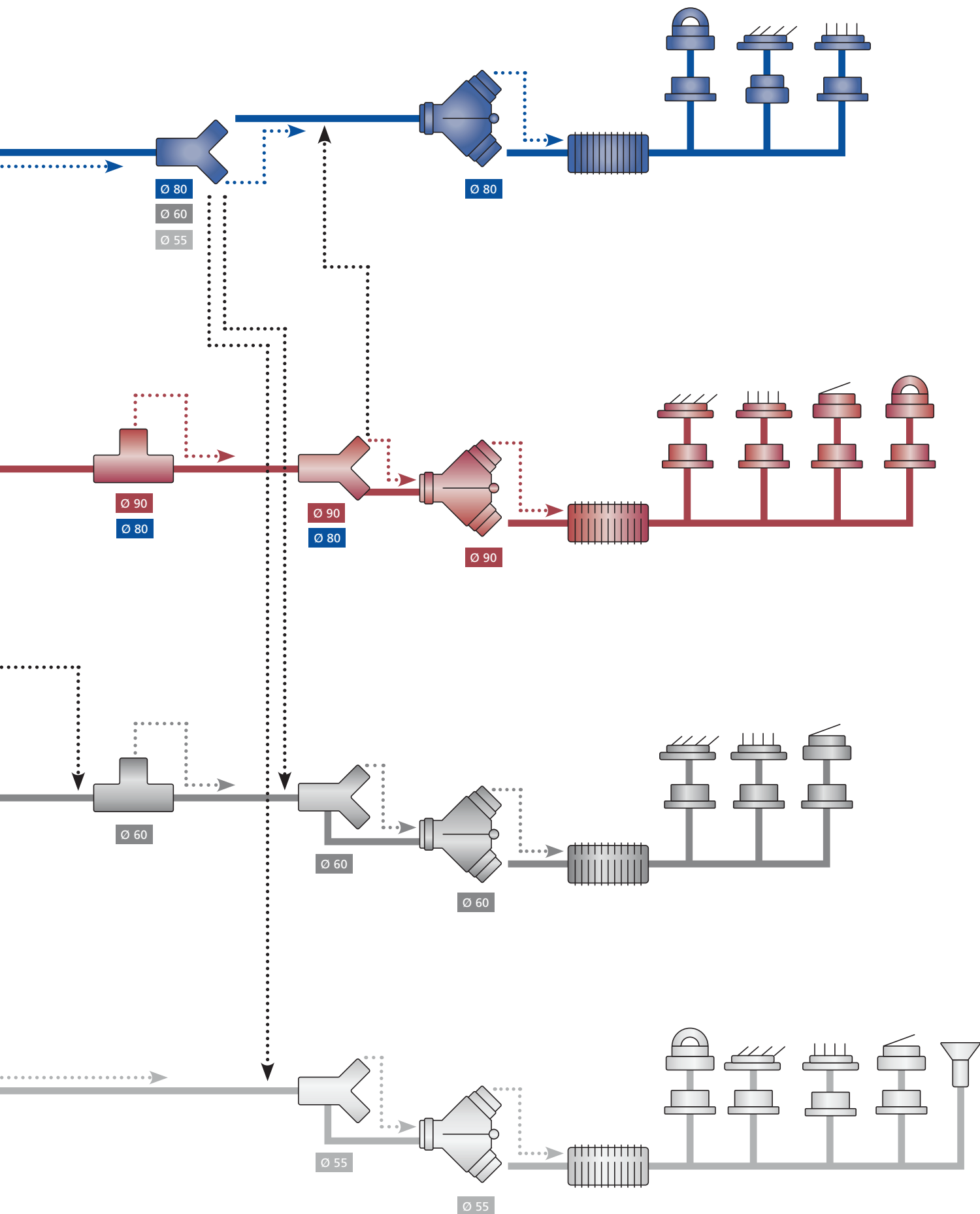
			Air Top 2000 STC: max. 325 resistance points			Air Top Evo 40: max. 550 resistance points Air Top Evo 55: max. 375 resistance points		
			55/60 mm inlet			80/90 mm inlet		
			Dim. in mm	Points	Id.	Dim. in mm	Points	Id.
Threaded T-piece 			60/60/60	8	1320476A	90/60/90	11	1320475A
			60/60/60	36	1320476A	90/60/90	254	1320475A
Threaded T-piece 			60/60/60	36	1320476A	90/60/90	254	1320475A
			60/60/60	36	1320476A	90/60/90	254	1320475A
Rotatable air outlet 			Ø 60/black	24	1322405A	-	-	-
Closeable air outlet 			Ø 55/black	64	1320812A	-	-	-
			Ø 60/ black	59	1320206A	-	-	-
			Ø 60/white	59	1320207A	Ø 90/white	50	1320713A
			Ø 60/grey	59	1320937A	Ø 90/black	50	1320355A
			Ø 60/brown	59	1320208A	Ø 90/grey	50	1320714A
Outlet 45° 			Ø 55/45°/black	142	107836	Ø 80/45°/black	136	107984
			Ø 60/45°/black	139	1320204A	Ø 90/45°/ black/pivoted	134	1320956A
			Ø 60/45°/white	139	1320205A	Ø 90/45°/black	134	1320709A
			Ø 60/45°/grey	139	1320933A	Ø 90/45°/white	134	1320710A
			Ø 60/45°/brown	139	1320761A	Ø 90/45°/grey	134	1320354A
Outlet 90° 			Ø 55/90°/black	37	101625	-	-	-
			Ø 60/90°/black	35	1320934A	Ø 80/90°/black	35	1322710A
			Ø 60/90°/white	35	1320935A	Ø 90/90°/black	33	1320932A
			Ø 60/90°/grey	35	1320936A	Ø 90/90°/grey	33	1320712A
			Ø 60/90°/brown	35	1320762A	Ø 60/90°/white	33	1320711A
Wall socket 			55	10	1319417A	80	11	1319471A
			55	10	1320063A	90	12	1320924A
			60	10	1320923A	-	-	-
Wall socket with air outlet 			60	24	1322634A	-	-	-
Air intake grille 			60	139	1319269A	80	137	1319269A
						90	134	1319269A

# Air ducting combination possibilities:

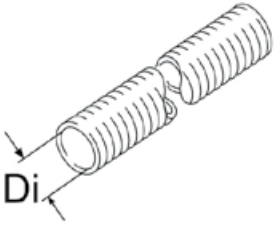
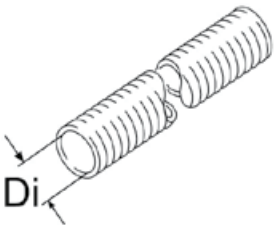
Air ducting: At least flex pipe & air outlet, all other parts optional.

Air intake: At least air intake grille, all other parts optional

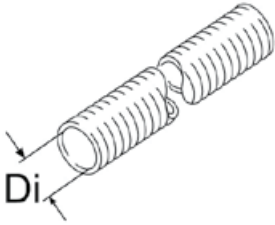
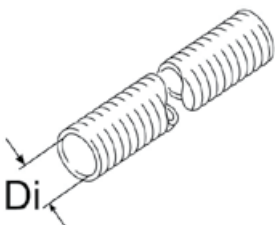




# Hot Air System

		Air Top 2000 STC	Air Top Evo 40/55	Order number
	<b>Flexible pipe, 55 mm, suitable only with adapter</b>			
	Di = 55			
	L = 2,000, APK, black	■	■	1315889A
	L = 2,000, PAPK, grey	■	■	1321580B
	L = 10,000, APK, black	■	■	1322082A
	L = 10,000, PAK	■	■	1321701B
	L = 25,000, APK, black	■	■	1311891C
L = 25,000, PAPK, grey	■	■	1311896C	
	<b>Flexible pipe, 60 mm, suitable for Air Top 2000 STC, for other heaters with adapter</b>			
	Di = 60			
	L = 2,000, APK, black	■	■	1321574B
	L = 2,000, PAPK, grey	■	■	1321504A
	L = 5,000, APK, black	■	■	1321575C
	L = 10,000, APK, black	■	■	1322083C
	L = 10,000, PAK, black	■	■	1321692B
	L = 10,000, PAPK, grey	■	■	1321727C
	L = 20,000, PAK, black	■	■	1321697B
	L = 25,000, APK, black	■	■	1311892C
L = 25,000, PAPK, grey	■	■	1311898C	

# Hot Air System

		Air Top 2000 STC	Air Top Evo 40/55	Order number
	<b>Flexible pipe, 80 mm, suitable only with adapter</b>			
	Di = 80			
	L = 1,000, AA, grey	■	■	1321531A
	L = 2,000, APK, black	■	■	1321576C
	L = 2,000, PAK, grey	■	■	1321582B
	L = 5,000, APK, black	■	■	1321577B
	L = 10,000, AA, grey	■	■	1321533A
	L = 10,000, APK, black	■	■	1321718C
	L = 10,000, PAK	■	■	1322147B
	L = 10,000, PAK, grey	■	■	1321729B
	L = 25,000, APK, black	■	■	1311893C
L = 25,000, PAK, grey	■	■	1311900C	
	<b>Flexible pipe, 90 mm, suitable for Air Top Evo 40/55, for other heaters with adapter</b>			
	Di = 90			
	L = 2,000, APK, black	■	■	1321578C
	L = 2,000, PAK, grey	■	■	1321506B
	L = 5,000, APK, black	■	■	1321579C
	L = 5,000, PAK, grey	■	■	1321508A
	L = 10,000, APK, black	■	■	1321719C
	L = 10,000, PAK, grey	■	■	1321731C
	L = 25,000, APK, black	■	■	1311894C
	L = 25,000, PAK, grey	■	■	1311902C

## Hose Specification


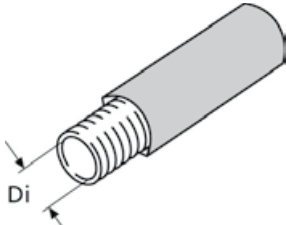
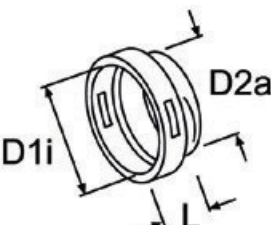
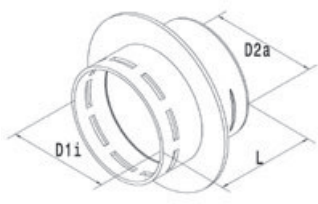
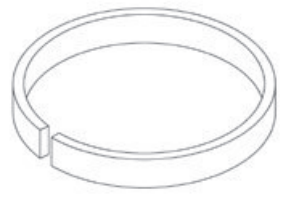
**APK:** Aluminium, Paper, Plastic – black, with white Webasto logo

**PAK:** Paper, Aluminium, Plastic – black, with white Webasto logo

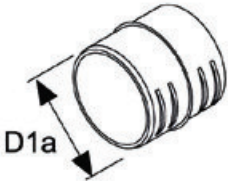

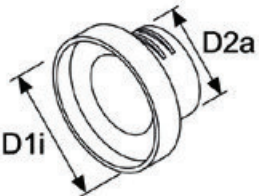
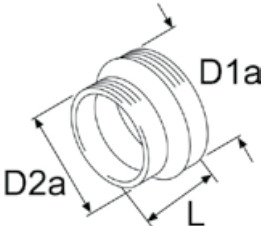
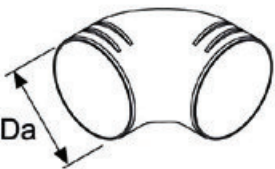
**PAPK:** Paper, Aluminium, Paper, Plastic – grey, with red and blue Webasto logo, extra strong 4 layer design




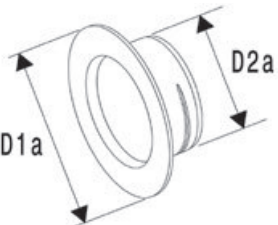
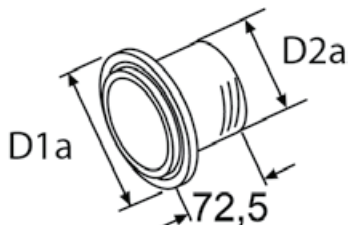
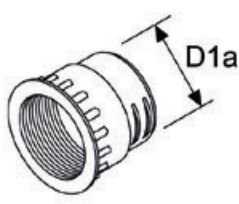
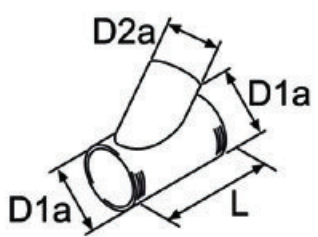
# Hot Air System

		Air Top 2000 STC	Air Top Evo 40/55	Order number
	<b>Elbow</b>			
	Di = 80.5, Da = 79, L = 115, steel, corrosion-resistant, 90°	■	■	1319272A
	<b>Insulated hose</b>			
	L = 12,000, PAK			
	Di = 80	■	■	1321515A
	Di = 90	■	■	1321517A
	<b>Adapter for heater connection</b>			
	D1i = 90, D2a = 80, L = 40, plastic		■	1320186A
	<b>Adapter for heater connection</b>			
	D1i = 60, D2a = 75, L = 40, plastic	■		1321005A
	<b>Adapter ring</b>			
	Di = 55, Da = 60, aluminium	■	■	1320224A
	Di = 70, Da = 80, W = 17, plastic, for outlet 1319946A, black	■	■	1320040A

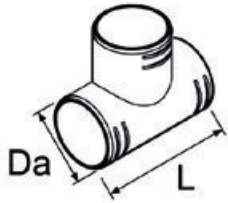
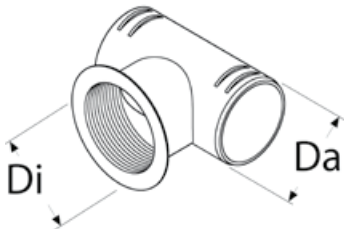
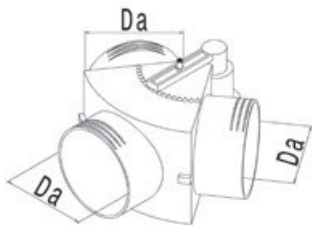
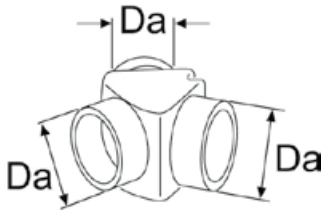
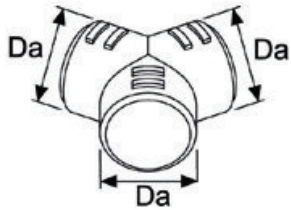
# Hot Air System

		Air Top 2000 STC	Air Top Evo 40/55	Order number
	<b>Double fitting</b>			
	Plastic, black			
	D1a = 55, L = 55, for connecting flexible pipes	■	■	1319473A
	D1a = 60, L = 51, for connecting flexible pipes	■	■	1320469A
	D1a = 80, L = 75, for connecting flexible pipes	■	■	1319476A
	D1a = 90, L = 51, for connecting flexible pipes	■	■	1319869A
	<b>End cap</b>			
	Plastic, black			
	Da = 60	■	■	1320477A
	Da = 90	■	■	1319870A
	<b>Extension adapter</b>			
	D1i = 90, for connecting flexible pipes, in connection with union nut 1320468A, plastic, black			
	D2a = 60, L = 59	■	■	1320760A
	D2a = 80, L = 50	■	■	1320925A
	<b>Reduction adapter</b>			
	For connecting flexible pipes			
	D1a = 60, D2a = 55, L = 35, plastic, black	■	■	1320127A
	D1a = 80, D2a = 55, L = 82, plastic, black	■	■	1319477A
	D1a = 80, D2a = 60, L = 190, steel, corrosion-resistant	■	■	1319312A
	D1a = 90, D2a = 80, L = 45, plastic, black	■	■	1320185A
	<b>Elbow</b>			
	Da = 90, plastic, black	■	■	1320706A

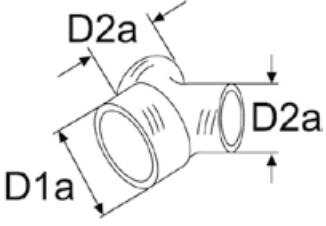
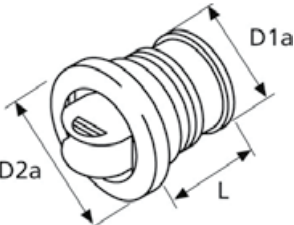
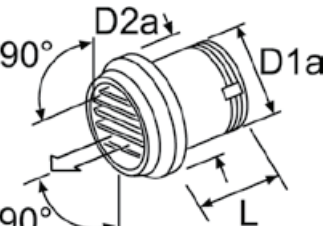


# Hot Air System

		Air Top 2000 STC	Air Top Evo 40/55	Order number
	<b>Hot air elbow 90° for heater connection</b> Di = 60, Da = 60, plastic, black	■	■	1320124A
	<b>Wall feed-through</b> plastic, black			
	D1a = 85, D2a = 55	■	■	1319417A
	D1a = 90, D2a = 60	■	■	1320923A
	D1a = 120, D2a = 90	■	■	1320924A
	<b>Adapter wall socket</b> L = 72.5, plastic, black			
	D1a = 90, D2a = 55	■	■	1320063A
	D1a = 110, D2a = 80, can be combined with wall feed-through	■	■	1319471A
	<b>Union nut</b> L = 60, plastic, black			
	D1a = 60, in combination with 60 mm air outlet	■	■	1320922A
	D1a = 90, in combination with 90 mm air outlet	■	■	1320468A
	<b>Junction fitting</b> 45°			
	D1a = 55, D2a = 55, L = 137, plastic, black	■	■	1321019A
	D1a = 60, D2a = 60, L = 145, plastic, black	■	■	1320472A
	D1a = 80, D2a = 55, L = 151, plastic, black	■	■	1319479A
	D1a = 80, D2a = 80, L = 186, plastic, black	■	■	1319478A
	D1a = 80, D2a = 80, L = 370, steel, corrosion-resistant	■	■	1319315A
	D1a = 90, D2a = 60, L = 146, plastic, black	■	■	1320707A
	D1a = 90, D2a = 60, L = 185, plastic, black	■	■	1321034A


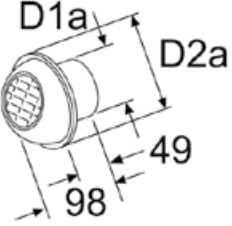
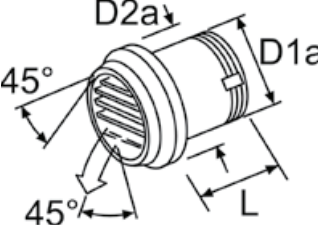
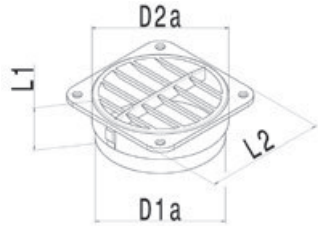
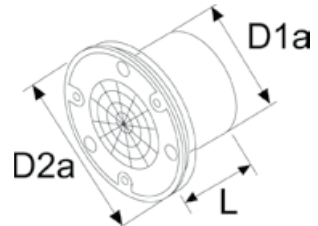
# Hot Air System

		Air Top 2000 STC	Air Top Evo 40/55	Order number
	<b>T-piece</b>			
	L = 110, plastic, black			
	Da = 60	■	■	1320474A
	Da = 90	■	■	1320473A
	<b>T-piece</b>			
	Di = 60, black			
	Da = 60, L = 100, plastic, in combination with 60 mm air outlet, with thread	■	■	1320476A
	Da = 90, L = 140, plastic, in combination with 60 mm air outlet, with thread	■	■	1320475A
	<b>Distributor Y-unit</b>			
	Plastic, black			
	Da = 55, with remote control flap valve	■	■	1319224A
	Da = 60	■	■	1320352A
	Da = 80, with remote control flap valve	■	■	1319214A
Da = 90	■	■	1320926A	
	<b>Distributor Y-unit</b>			
	Plastic, black			
	Da = 55	■	■	1319416A
	Da = 80	■	■	1319212A
	<b>Distributor Y-unit</b>			
	Plastic, black			
	Da = 60	■	■	1320814A
	Da = 90	■	■	1320470A

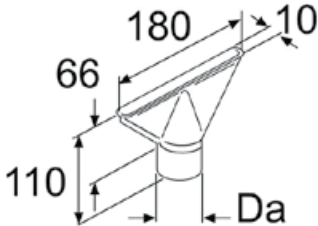


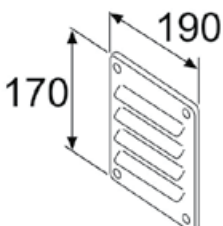
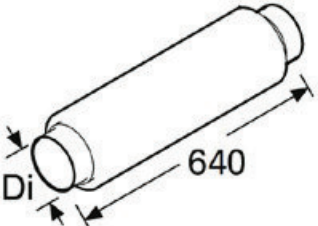
# Hot Air System

	Air Top 2000 STC	Air Top Evo 40/55	Order number
	<b>Air outlet 45° rotatable</b>		
	Plastic, black		
	■	■	1320753A
	■	■	1320471A
	■	■	1320375A
	<b>Air outlet</b>		
	D2a = 100, L = 63, black, plastic, lockable, with wall feed through, use for secondary flow only		
	■	■	1320812A
	■	■	1319946A
	<b>Air outlet</b>		
	L = 65, plastic, insert grid, straight, rotating, 90°, black		
	■	■	101625
	■	■	1322710A
	<b>Air outlet</b>		
	Plastic, through flow with bushing, 45°		
	■	■	1320204A
	■	■	1320205A
	■	■	1320761A
	■	■	1320933A
	■	■	1320354A
	■	■	1320709A
■	■	1320710A	
	<b>Air outlet</b>		
	Lockable, with wall feed through		
	■	■	1320206A
	■	■	1320207A
	■	■	1320208A
	■	■	1320937A
	■	■	1320355A
■	■	1320713A	
■	■	1320714A	

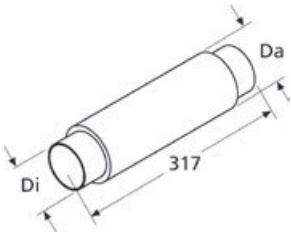

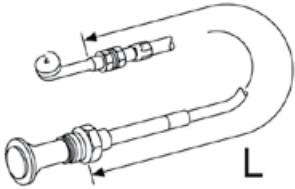
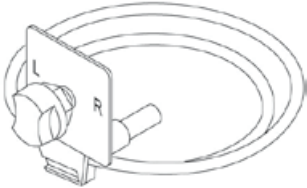
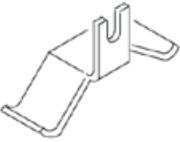
# Hot Air System

	Air Top 2000 STC	Air Top Evo 40/55	Order number
	<b>Air outlet</b>		
	Plastic, 90°, with wall feed through		
	■	■	D1a = 60, D2a = 85, black 1320934A
	■	■	D1a = 60, D2a = 85, white 1320935A
	■	■	D1a = 60, D2a = 85, grey 1320936A
	■	■	D1a = 90, D2a = 115, white 1320711A
	■	■	D1a = 90, D2a = 115, grey 1320712A
	■	■	D1a = 60, D2a = 85, brown 1320762A
■	■	D1a = 90, D2a = 115, black 1320932A	
	<b>Air outlet</b>		
	■	■	D1a = 60, D2a = 92, black, plastic, rotatable, with ball-shape outlet, black 1322405A
	<b>Air outlet</b>		
	L = 65, plastic, rotatable, black		
	■	■	D1a = 55, D2a = 90, 45° 107836
■	■	D1a = 80, D2a = 110 107984	
	<b>Air outlet</b>		
	■	■	D1a = 90, D2a = 120, L1 = 65, L2 = 108, drilling diameter = 95 mm, plastic, through flow with bushing, 45°, black 1320956A
	<b>Air outlet</b>		
	■	■	D1a = 60, D2a = 97, L = 50, plastic, axiale flow, with wall feed through, black 1322634A

# Hot Air System

		Air Top 2000 STC	Air Top Evo 40/55	Order number
	<b>Demist nozzle</b> Da = 55, steel, corrosion-resistant	■	■	1319470A
	<b>Protective screen</b> For intake and outlet openings of heater, plastic, black Di = 60 Di = 90	■	■	1320163A 1310581A
	<b>Protective screen</b> Di = 60, for flex tube intake, rubber	■		1320173A
	<b>Louvre plate</b> L = 190, H = 170, aluminium, for air intake only	■	■	1319269A
	<b>Air ducting silencer</b> Di = 90, L = 640, aluminium/plastic	■	■	1321734A

# Hot Air System

		Air Top 2000 STC	Air Top Evo 40/55	Order number
	<b>Air ducting silencer</b> Di = 90, Da = 122, L = 317, plastic, black	■	■	1320996A
	<b>Console</b> 10 pieces	■	■	1321044A
	<b>Control cable</b> With grip and outer sleeve, for Y-pieces L = 850 L = 1,500	■	■	1320785A 1320786A
	<b>Control device for distributor</b> L = 2,000, for Y-pieces, with control butterfly valve	■	■	1319868A
	<b>Clamp</b> For bowden cable 1320785A and 1320786A	■	■	1319688A